

# COLLISION REPAIR INFORMATION

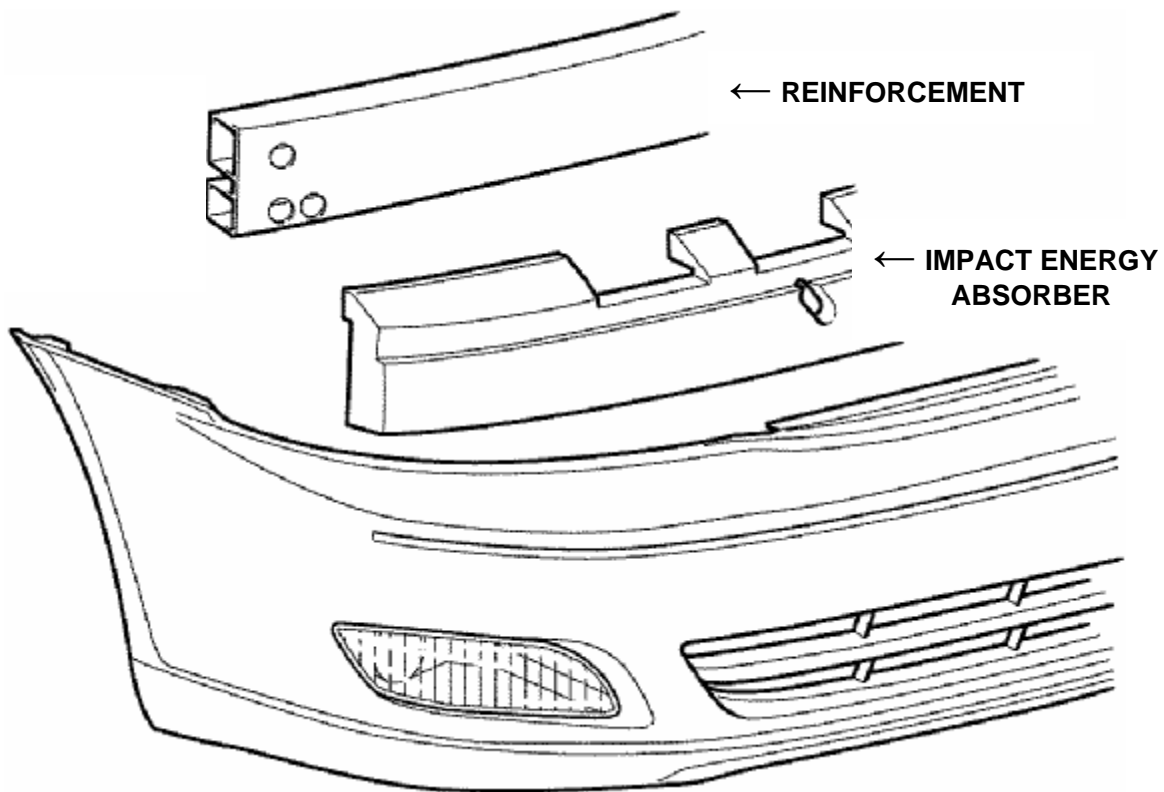
## FOR THE COLLISION REPAIR PROFESSIONAL

TITLE: BUMPER COMPONENT REPAIR  
SECTION: EXTERIOR BULLETIN # 172  
MODELS: ALL TOYOTA, LEXUS, and SCION  
DATE: MARCH 2009

---

While it may seem cost effective to repair damaged bumper components, specifically impact energy absorbers and reinforcements, there is no way to certify that a repaired part will function as originally intended under all future operating conditions and subsequent collisions. Original Equipment bumper components comply with Federal Motor Vehicle Safety Standards established under the National Highway Traffic Safety Administration Title 49, Part 581. Therefore it is recommended to replace damaged bumper impact energy absorbers and reinforcements with genuine new original equipment replacement parts only.

For more information on collision damage repair topics please refer to Collision Repair Information Bulletin #161 Collision Damage Repair Precautions, and, plan to attend Toyota Collision Repair & Refinish Training. Visit [www.crrtraining.com](http://www.crrtraining.com) for training information.



**PLEASE ROUTE THIS BULLETIN TO YOUR COLLISION REPAIR CENTER  
MANAGER AND COLLISION REPAIR TECHNICIANS**

