



# Comprehensive Repair Planning Maximized Profit

## 3M Collision Repair Materials Planner

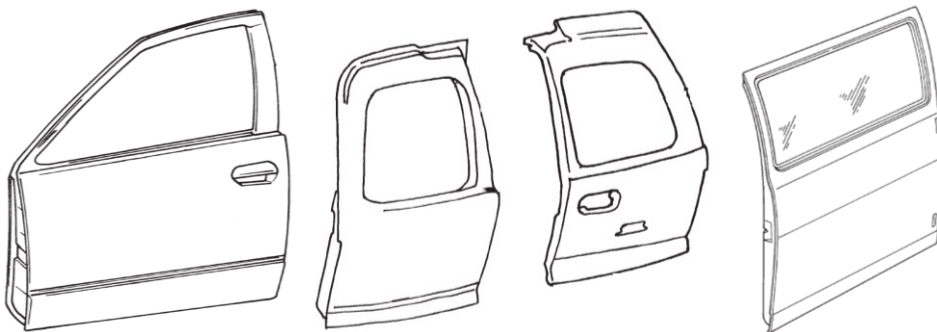
Bonding, Weld & Rivet Bonding, Welding, Corrosion Protection, Seam Sealing, Sound Deadening Pads & Liquid Applied, Molding & Trim Attachment, Vapor Barrier, Chip Guard, Underbody Coatings, Cavity Wax



RO #: \_\_\_\_\_

## Repair Operations: **Door Skin, Door Shell, Door Jams, Intrusion Beams and Supports, Vapor Barrier, Molding and Trim**

Application	Check Box	Part #'s	Description	Quantity Applied	Labor Time
<b>Bonding</b>	<input type="checkbox"/>	08115	Panel Bonding Adhesive	_____	_____
	<input type="checkbox"/>	08219	SMC Bonding Adhesive	_____	_____
<b>Bonding, Weld &amp; Rivet Bonding</b>	<input type="checkbox"/>	07333	Impact Resistant Structural Adhesive	_____	_____
<b>Welding</b>	<input type="checkbox"/>	05917	Weld Thru Primer	_____	_____
<b>Seam Sealing</b>	<input type="checkbox"/>	08308	Heavy Bodied Sealer	_____	_____
	<input type="checkbox"/>	08310	Bare Metal Sealer	_____	_____
	<input type="checkbox"/>	05887	Flowable Sealer	_____	_____
<b>Sound Deadening Pad</b>	<input type="checkbox"/>	08840	Sound Deadening Pad	_____	_____
<b>Sound Deadening Liquid Applied</b>	<input type="checkbox"/>	04274	NVH Dampening Material	_____	_____
	<input type="checkbox"/>	08463	Flexible Foam	_____	_____
	<input type="checkbox"/>	08374	Sprayable Seam Sealer	_____	_____
	<input type="checkbox"/>	08362	Urethane Seam Sealer	_____	_____
<b>Vapor Barrier</b>	<input type="checkbox"/>	08578	Strip Caulk	_____	_____
<b>Chip Guard</b>	<input type="checkbox"/>	08889	Rocker Panel Coating	_____	_____
	<input type="checkbox"/>	08733 / 08734	Rocker Protector	_____	_____
	<input type="checkbox"/>	08747	Paintable Undercoating	_____	_____
	<input type="checkbox"/>	08874	Rocker Schutz	_____	_____
<b>Underbody Coatings</b>	<input type="checkbox"/>	08881	Undercoating	_____	_____
	<input type="checkbox"/>	08882	Paintable Undercoating	_____	_____
	<input type="checkbox"/>	08883	Rubberized Undercoating	_____	_____
	<input type="checkbox"/>	08804	Waterbased Undercoating	_____	_____
	<input type="checkbox"/>	08964	High Coverage Body Schutz	_____	_____
<b>Cavity Wax</b>	<input type="checkbox"/>	08852	Cavity Wax Plus	_____	_____
	<input type="checkbox"/>	08891	Rust Fighter	_____	_____
<b>Clean &amp; Re-tape Molding / Trim</b>	<input type="checkbox"/>	Multiple	Attachment Tape	_____	_____



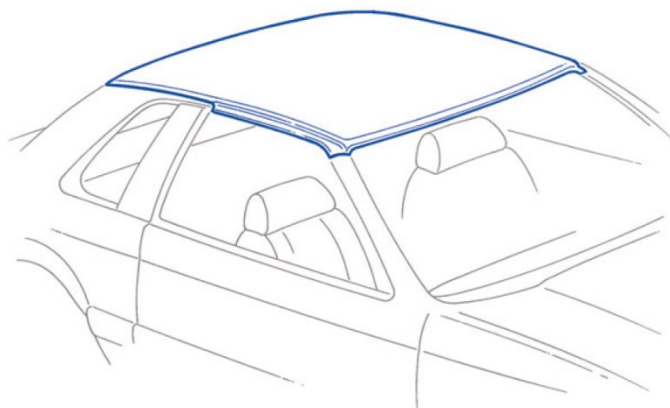
\_\_\_\_\_  
Technician

\_\_\_\_\_  
Q.C.

## Repair Operations: Roof Skin / Panel and Bows

RO #: \_\_\_\_\_

Application	Check Box	Part #'s	Description	Quantity Applied	Labor Time
<b>Bonding</b>	<input type="checkbox"/>	08115	Panel Bonding Adhesive	_____	_____
	<input type="checkbox"/>	08219	SMC Bonding Adhesive	_____	_____
<b>Bonding, Weld &amp; Rivet Bonding</b>	<input type="checkbox"/>	07333	Impact Resistant Structural Adhesive	_____	_____
<b>Welding</b>	<input type="checkbox"/>	05917	Weld Thru Primer	_____	_____
<b>Seam Sealing</b>	<input type="checkbox"/>	08308	Heavy Bodied Sealer	_____	_____
	<input type="checkbox"/>	08310	Bare Metal Sealer	_____	_____
	<input type="checkbox"/>	05887	Flowable Sealer	_____	_____
<b>Sound Deadening Pad</b>	<input type="checkbox"/>	08840	Sound Deadening Pad	_____	_____
<b>Sound Deadening Liquid Applied</b>	<input type="checkbox"/>	04274	NVH Dampening Material	_____	_____
	<input type="checkbox"/>	08463	Flexible Foam	_____	_____
	<input type="checkbox"/>	08374	Sprayable Seam Sealer	_____	_____
	<input type="checkbox"/>	08362	Urethane Seam Sealer	_____	_____
<b>Chip Guard</b>	<input type="checkbox"/>	08889	Rocker Panel Coating	_____	_____
	<input type="checkbox"/>	08733 / 08734	Rocker Protector	_____	_____
	<input type="checkbox"/>	08747	Paintable Undercoating	_____	_____
	<input type="checkbox"/>	08874	Rocker Schutz	_____	_____
<b>Underbody Coatings</b>	<input type="checkbox"/>	08881	Undercoating	_____	_____
	<input type="checkbox"/>	08882	Paintable Undercoating	_____	_____
	<input type="checkbox"/>	08883	Rubberized Undercoating	_____	_____
	<input type="checkbox"/>	08804	Waterbased Undercoating	_____	_____
	<input type="checkbox"/>	08964	High Coverage Body Schutz	_____	_____
<b>Cavity Wax</b>	<input type="checkbox"/>	08852	Cavity Wax Plus	_____	_____
	<input type="checkbox"/>	08891	Rust Fighter	_____	_____



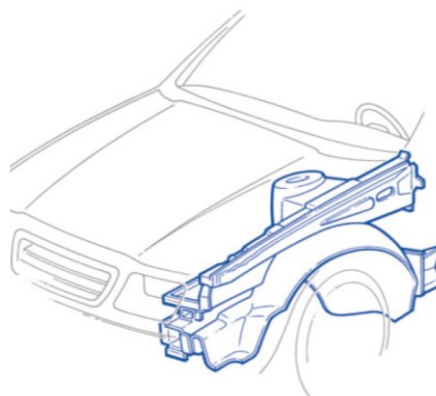
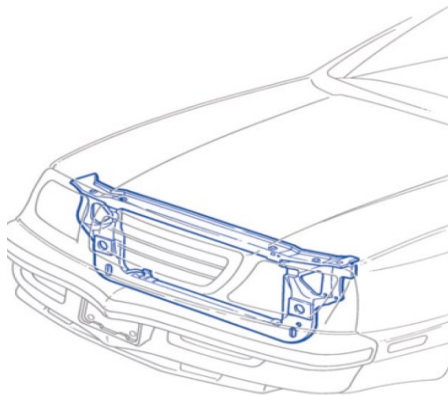
\_\_\_\_\_  
Technician

\_\_\_\_\_  
Q.C.

## Repair Operations: **Upper & Lower Rails & Extensions, Apron Assemblies, Wheel Houses, Wells & Lips, Radiator Supports, Headlight Pockets and Brackets**

RO #: \_\_\_\_\_

Application	Check Box	Part #'s	Description	Quantity Applied	Labor Time
<b>Bonding, Weld &amp; Rivet Bonding</b>	<input type="checkbox"/>	07333	Impact Resistant Structural Adhesive	_____	_____
<b>Welding</b>	<input type="checkbox"/>	05917	Weld Thru Primer	_____	_____
<b>Seam Sealing</b>	<input type="checkbox"/>	08308	Heavy Bodied Sealer	_____	_____
	<input type="checkbox"/>	08310	Bare Metal Sealer	_____	_____
	<input type="checkbox"/>	05887	Flowable Sealer	_____	_____
<b>Sound Deadening Pad</b>	<input type="checkbox"/>	08840	Sound Deadening Pad	_____	_____
<b>Sound Deadening Liquid Applied</b>	<input type="checkbox"/>	04274	NVH Dampening Material	_____	_____
	<input type="checkbox"/>	08463	Flexible Foam	_____	_____
	<input type="checkbox"/>	08374	Sprayable Seam Sealer	_____	_____
	<input type="checkbox"/>	08362	Urethane Seam Sealer	_____	_____
<b>Underbody Coatings</b>	<input type="checkbox"/>	08881	Undercoating	_____	_____
	<input type="checkbox"/>	08882	Paintable Undercoating	_____	_____
	<input type="checkbox"/>	08883	Rubberized Undercoating	_____	_____
	<input type="checkbox"/>	08804	Waterbased Undercoating	_____	_____
	<input type="checkbox"/>	08964	High Coverage Body Schutz	_____	_____
<b>Cavity Wax</b>	<input type="checkbox"/>	08852	Cavity Wax Plus	_____	_____
	<input type="checkbox"/>	08891	Rust Fighter	_____	_____



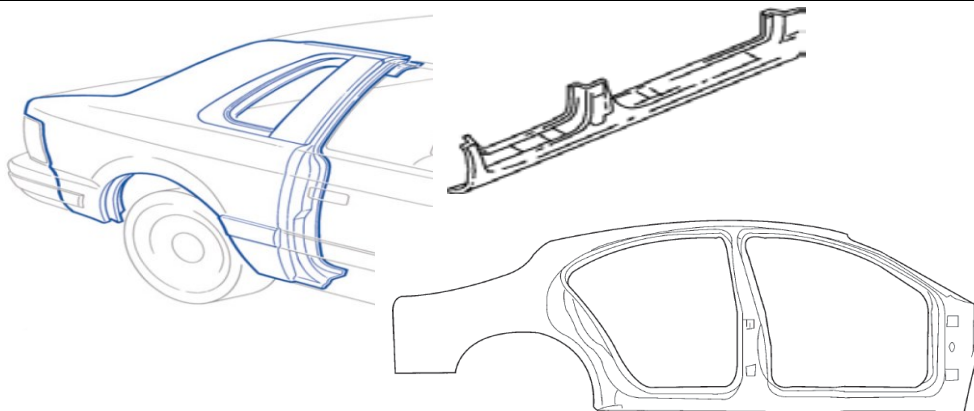
\_\_\_\_\_  
Technician

\_\_\_\_\_  
Q.C.

## Repair Operations: Unisides, Rocker Panels, A, B, C & D Pillars, Rear Quarter Panels, Door Jams, Dog Legs & Extensions, Fuel Fill Doors, Wheel Houses, Wells & Lips

RO #: \_\_\_\_\_

Application	Check Box	Part #'s	Description	Quantity Applied	Labor Time
<b>Bonding, Weld &amp; Rivet Bonding</b>	<input type="checkbox"/>	07333	Impact Resistant Structural Adhesive	_____	_____
<b>Bonding</b>	<input type="checkbox"/>	08115	Panel Bonding Adhesive	_____	_____
	<input type="checkbox"/>	08219	SMC Bonding Adhesive	_____	_____
<b>Welding</b>	<input type="checkbox"/>	05917	Weld Thru Primer	_____	_____
<b>Seam Sealing</b>	<input type="checkbox"/>	08308	Heavy Bodied Sealer	_____	_____
	<input type="checkbox"/>	08310	Bare Metal Sealer	_____	_____
	<input type="checkbox"/>	05887	Flowable Sealer	_____	_____
<b>Sound Deadening Pad</b>	<input type="checkbox"/>	08840	Sound Deadening Pad	_____	_____
<b>Sound Deadening Liquid Applied</b>	<input type="checkbox"/>	04274	NVH Dampening Material	_____	_____
	<input type="checkbox"/>	08463	Flexible Foam	_____	_____
	<input type="checkbox"/>	08374	Sprayable Seam Sealer	_____	_____
	<input type="checkbox"/>	08362	Urethane Seam Sealer	_____	_____
<b>Chip Guard</b>	<input type="checkbox"/>	08889	Rocker Panel Coating	_____	_____
	<input type="checkbox"/>	08733 / 08734	Rocker Protector	_____	_____
	<input type="checkbox"/>	08747	Paintable Undercoating	_____	_____
	<input type="checkbox"/>	08874	Rocker Schutz	_____	_____
<b>Underbody Coatings</b>	<input type="checkbox"/>	08881	Undercoating	_____	_____
	<input type="checkbox"/>	08882	Paintable Undercoating	_____	_____
	<input type="checkbox"/>	08883	Rubberized Undercoating	_____	_____
	<input type="checkbox"/>	08804	Waterbased Undercoating	_____	_____
	<input type="checkbox"/>	08964	High Coverage Body Schutz	_____	_____
<b>Cavity Wax</b>	<input type="checkbox"/>	08852	Cavity Wax Plus	_____	_____
	<input type="checkbox"/>	08891	Rust Fighter	_____	_____
<b>Clean &amp; Re-tape Molding / Trim</b>	<input type="checkbox"/>	Multiple	Attachment Tape	_____	_____



\_\_\_\_\_  
Technician

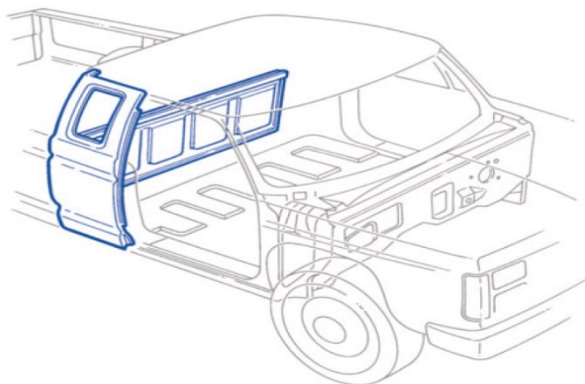
\_\_\_\_\_  
Q.C.



## Repair Operations: Cab Corner and Rear Cab Panel

RO #: \_\_\_\_\_

Application	Check Box	Part #'s	Description	Quantity Applied	Labor Time
<b>Bonding, Weld &amp; Rivet Bonding</b>	<input type="checkbox"/>	07333	Impact Resistant Structural Adhesive	_____	_____
<b>Bonding</b>	<input type="checkbox"/>	08115	Panel Bonding Adhesive	_____	_____
	<input type="checkbox"/>	08219	SMC Bonding Adhesive	_____	_____
<b>Welding</b>	<input type="checkbox"/>	05917	Weld Thru Primer	_____	_____
<b>Seam Sealing</b>	<input type="checkbox"/>	08308	Heavy Bodied Sealer	_____	_____
	<input type="checkbox"/>	08310	Bare Metal Sealer	_____	_____
	<input type="checkbox"/>	05887	Flowable Sealer	_____	_____
<b>Sound Deadening Pad</b>	<input type="checkbox"/>	08840	Sound Deadening Pad	_____	_____
<b>Sound Deadening Liquid Applied</b>	<input type="checkbox"/>	04274	NVH Dampening Material	_____	_____
	<input type="checkbox"/>	08463	Flexible Foam	_____	_____
	<input type="checkbox"/>	08374	Sprayable Seam Sealer	_____	_____
	<input type="checkbox"/>	08362	Urethane Seam Sealer	_____	_____
<b>Chip Guard</b>	<input type="checkbox"/>	08889	Rocker Panel Coating	_____	_____
	<input type="checkbox"/>	08733 / 08734	Rocker Protector	_____	_____
	<input type="checkbox"/>	08747	Paintable Undercoating	_____	_____
	<input type="checkbox"/>	08874	Rocker Schutz	_____	_____
<b>Underbody Coatings</b>	<input type="checkbox"/>	08881	Undercoating	_____	_____
	<input type="checkbox"/>	08882	Paintable Undercoating	_____	_____
	<input type="checkbox"/>	08883	Rubberized Undercoating	_____	_____
	<input type="checkbox"/>	08804	Waterbased Undercoating	_____	_____
	<input type="checkbox"/>	08964	High Coverage Body Schutz	_____	_____
<b>Cavity Wax</b>	<input type="checkbox"/>	08852	Cavity Wax Plus	_____	_____
	<input type="checkbox"/>	08891	Rust Fighter	_____	_____
<b>Clean &amp; Re-tape Molding / Trim</b>	<input type="checkbox"/>	Multiple	Attachment Tape	_____	_____



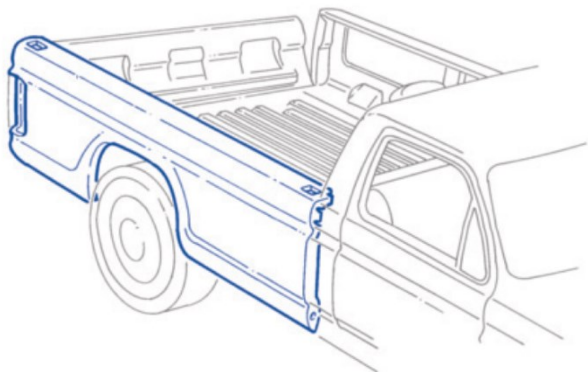
\_\_\_\_\_  
Technician

\_\_\_\_\_  
Q.C.

## Repair Operations: Inner and Outer Pickup Truck Box Sides, Floors & Extensions, Fuel Fill Doors, Wheel Houses, Wells & Lips

RO #: \_\_\_\_\_

Application	Check Box	Part #'s	Description	Quantity Applied	Labor Time
<b>Bonding, Weld &amp; Rivet Bonding</b>	<input type="checkbox"/>	07333	Impact Resistant Structural Adhesive	_____	_____
<b>Bonding</b>	<input type="checkbox"/>	08115	Panel Bonding Adhesive	_____	_____
	<input type="checkbox"/>	08219	SMC Bonding Adhesive	_____	_____
<b>Welding</b>	<input type="checkbox"/>	05917	Weld Thru Primer	_____	_____
<b>Seam Sealing</b>	<input type="checkbox"/>	08308	Heavy Bodied Sealer	_____	_____
	<input type="checkbox"/>	08310	Bare Metal Sealer	_____	_____
	<input type="checkbox"/>	05887	Flowable Sealer	_____	_____
<b>Sound Deadening Pad</b>	<input type="checkbox"/>	08840	Sound Deadening Pad	_____	_____
<b>Sound Deadening Liquid Applied</b>	<input type="checkbox"/>	04274	NVH Dampening Material	_____	_____
	<input type="checkbox"/>	08463	Flexible Foam	_____	_____
	<input type="checkbox"/>	08374	Sprayable Seam Sealer	_____	_____
	<input type="checkbox"/>	08362	Urethane Seam Sealer	_____	_____
<b>Chip Guard</b>	<input type="checkbox"/>	08889	Rocker Panel Coating	_____	_____
	<input type="checkbox"/>	08733 / 08734	Rocker Protector	_____	_____
	<input type="checkbox"/>	08747	Paintable Undercoating	_____	_____
	<input type="checkbox"/>	08874	Rocker Schutz	_____	_____
<b>Underbody Coatings</b>	<input type="checkbox"/>	08881	Undercoating	_____	_____
	<input type="checkbox"/>	08882	Paintable Undercoating	_____	_____
	<input type="checkbox"/>	08883	Rubberized Undercoating	_____	_____
	<input type="checkbox"/>	08804	Waterbased Undercoating	_____	_____
	<input type="checkbox"/>	08964	High Coverage Body Schutz	_____	_____
<b>Cavity Wax</b>	<input type="checkbox"/>	08852	Cavity Wax Plus	_____	_____
	<input type="checkbox"/>	08891	Rust Fighter	_____	_____
<b>Clean &amp; Re-tape Molding / Trim</b>	<input type="checkbox"/>	Multiple	Attachment Tape	_____	_____



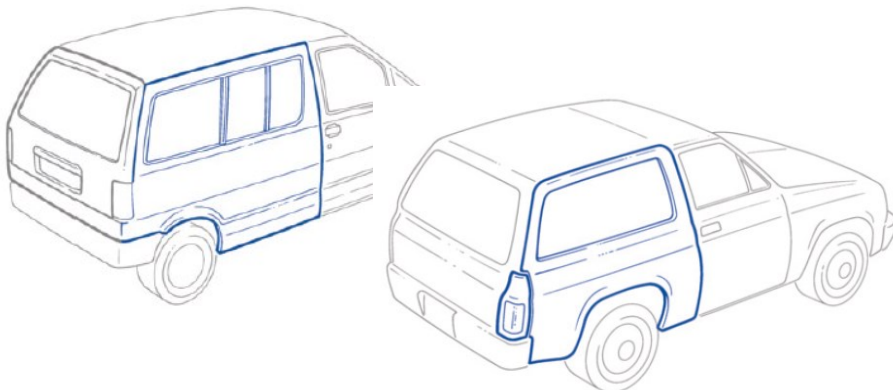
\_\_\_\_\_  
Technician

\_\_\_\_\_  
Q.C.

## Repair Operations: SUV / Van – Side, Corner and Quarter Panels & Extensions, Fuel Fill Doors, Wheel Houses, Wells & Lips

RO #: \_\_\_\_\_

Application	Check Box	Part #'s	Description	Quantity Applied	Labor Time
<b>Bonding, Weld &amp; Rivet Bonding</b>	<input type="checkbox"/>	07333	Impact Resistant Structural Adhesive	_____	_____
<b>Bonding</b>	<input type="checkbox"/>	08115	Panel Bonding Adhesive	_____	_____
	<input type="checkbox"/>	08219	SMC Bonding Adhesive	_____	_____
<b>Welding</b>	<input type="checkbox"/>	05917	Weld Thru Primer	_____	_____
<b>Seam Sealing</b>	<input type="checkbox"/>	08308	Heavy Bodied Sealer	_____	_____
	<input type="checkbox"/>	08310	Bare Metal Sealer	_____	_____
	<input type="checkbox"/>	05887	Flowable Sealer	_____	_____
<b>Sound Deadening Pad</b>	<input type="checkbox"/>	08840	Sound Deadening Pad	_____	_____
<b>Sound Deadening Liquid Applied</b>	<input type="checkbox"/>	04274	NVH Dampening Material	_____	_____
	<input type="checkbox"/>	08463	Flexible Foam	_____	_____
	<input type="checkbox"/>	08374	Sprayable Seam Sealer	_____	_____
	<input type="checkbox"/>	08362	Urethane Seam Sealer	_____	_____
<b>Chip Guard</b>	<input type="checkbox"/>	08889	Rocker Panel Coating	_____	_____
	<input type="checkbox"/>	08733 / 08734	Rocker Protector	_____	_____
	<input type="checkbox"/>	08747	Paintable Undercoating	_____	_____
	<input type="checkbox"/>	08874	Rocker Schutz	_____	_____
<b>Underbody Coatings</b>	<input type="checkbox"/>	08881	Undercoating	_____	_____
	<input type="checkbox"/>	08882	Paintable Undercoating	_____	_____
	<input type="checkbox"/>	08883	Rubberized Undercoating	_____	_____
	<input type="checkbox"/>	08804	Waterbased Undercoating	_____	_____
	<input type="checkbox"/>	08964	High Coverage Body Schutz	_____	_____
<b>Cavity Wax</b>	<input type="checkbox"/>	08852	Cavity Wax Plus	_____	_____
	<input type="checkbox"/>	08891	Rust Fighter	_____	_____
<b>Clean &amp; Re-tape Molding / Trim</b>	<input type="checkbox"/>	Multiple	Attachment Tape	_____	_____



\_\_\_\_\_  
Technician

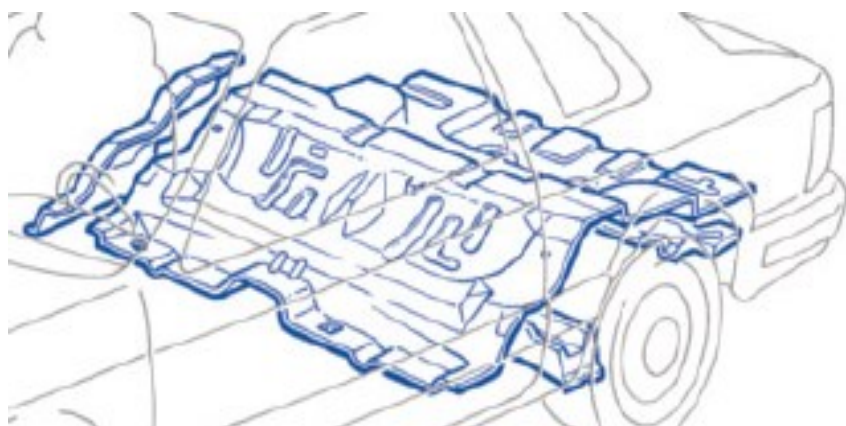
\_\_\_\_\_  
Q.C.



## Repair Operations: **Floor Pans, Spare Tire Wells, Crossmembers and Extensions**

RO #: \_\_\_\_\_

Application	Check Box	Part #'s	Description	Quantity Applied	Labor Time
<b>Bonding, Weld &amp; Rivet Bonding</b>	<input type="checkbox"/>	07333	Impact Resistant Structural Adhesive	_____	_____
<b>Bonding</b>	<input type="checkbox"/>	08115	Panel Bonding Adhesive	_____	_____
	<input type="checkbox"/>	08219	SMC Bonding Adhesive	_____	_____
<b>Welding</b>	<input type="checkbox"/>	05917	Weld Thru Primer	_____	_____
<b>Seam Sealing</b>	<input type="checkbox"/>	08308	Heavy Bodied Sealer	_____	_____
	<input type="checkbox"/>	08310	Bare Metal Sealer	_____	_____
	<input type="checkbox"/>	05887	Flowable Sealer	_____	_____
<b>Sound Deadening Pad</b>	<input type="checkbox"/>	08840	Sound Deadening Pad	_____	_____
<b>Sound Deadening Liquid Applied</b>	<input type="checkbox"/>	04274	NVH Dampening Material	_____	_____
	<input type="checkbox"/>	08463	Flexible Foam	_____	_____
	<input type="checkbox"/>	08374	Sprayable Seam Sealer	_____	_____
	<input type="checkbox"/>	08362	Urethane Seam Sealer	_____	_____
<b>Underbody Coatings</b>	<input type="checkbox"/>	08881	Undercoating	_____	_____
	<input type="checkbox"/>	08882	Paintable Undercoating	_____	_____
	<input type="checkbox"/>	08883	Rubberized Undercoating	_____	_____
	<input type="checkbox"/>	08804	Waterbased Undercoating	_____	_____
	<input type="checkbox"/>	08964	High Coverage Body Schutz	_____	_____
<b>Cavity Wax</b>	<input type="checkbox"/>	08852	Cavity Wax Plus	_____	_____
	<input type="checkbox"/>	08891	Rust Fighter	_____	_____



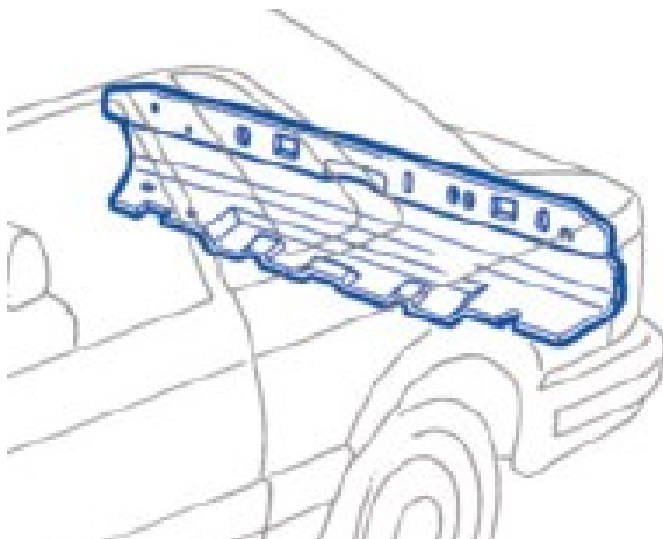
\_\_\_\_\_  
Technician

\_\_\_\_\_  
Q.C.

## Repair Operations: **Rear Body Panels, Tail Light Pockets, Rear Frame Rails and Extensions**

RO #: \_\_\_\_\_

Application	Check Box	Part #'s	Description	Quantity Applied	Labor Time
<b>Bonding, Weld &amp; Rivet Bonding</b>	<input type="checkbox"/>	07333	Impact Resistant Structural Adhesive	_____	_____
<b>Bonding</b>	<input type="checkbox"/>	08115	Panel Bonding Adhesive	_____	_____
	<input type="checkbox"/>	08219	SMC Bonding Adhesive	_____	_____
<b>Welding</b>	<input type="checkbox"/>	05917	Weld Thru Primer	_____	_____
<b>Seam Sealing</b>	<input type="checkbox"/>	08308	Heavy Bodied Sealer	_____	_____
	<input type="checkbox"/>	08310	Bare Metal Sealer	_____	_____
	<input type="checkbox"/>	05887	Flowable Sealer	_____	_____
<b>Sound Deadening Pad</b>	<input type="checkbox"/>	08840	Sound Deadening Pad	_____	_____
<b>Sound Deadening Liquid Applied</b>	<input type="checkbox"/>	04274	NVH Dampening Material	_____	_____
	<input type="checkbox"/>	08463	Flexible Foam	_____	_____
	<input type="checkbox"/>	08374	Sprayable Seam Sealer	_____	_____
	<input type="checkbox"/>	08362	Urethane Seam Sealer	_____	_____
<b>Underbody Coatings</b>	<input type="checkbox"/>	08881	Undercoating	_____	_____
	<input type="checkbox"/>	08882	Paintable Undercoating	_____	_____
	<input type="checkbox"/>	08883	Rubberized Undercoating	_____	_____
	<input type="checkbox"/>	08804	Waterbased Undercoating	_____	_____
	<input type="checkbox"/>	08964	High Coverage Body Schutz	_____	_____
<b>Cavity Wax</b>	<input type="checkbox"/>	08852	Cavity Wax Plus	_____	_____
	<input type="checkbox"/>	08891	Rust Fighter	_____	_____



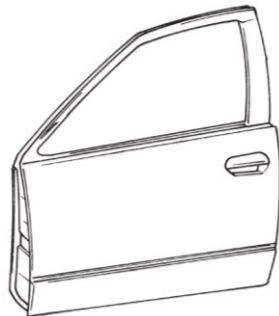
\_\_\_\_\_  
Technician

\_\_\_\_\_  
Q.C.

## Repair Operations: **New OEM or Aftermarket Panels / Hoods, Fenders, Deck Lids, Tail Gates, Lift Gates and Door Shells**

RO #: \_\_\_\_\_

Application	Check Box	Part #'s	Description	Quantity Applied	Labor Time
<b>Seam Sealing</b>	<input type="checkbox"/>	08308	Heavy Bodied Sealer	_____	_____
	<input type="checkbox"/>	08310	Bare Metal Sealer	_____	_____
	<input type="checkbox"/>	05887	Flowable Sealer	_____	_____
<b>Sound Deadening Pad</b>	<input type="checkbox"/>	08840	Sound Deadening Pad	_____	_____
<b>Sound Deadening Liquid Applied</b>	<input type="checkbox"/>	04274	NVH Dampening Material	_____	_____
	<input type="checkbox"/>	08463	Flexible Foam	_____	_____
	<input type="checkbox"/>	08374	Sprayable Seam Sealer	_____	_____
	<input type="checkbox"/>	08362	Urethane Seam Sealer	_____	_____
<b>Vapor Barrier</b>	<input type="checkbox"/>	08578	Strip Caulk	_____	_____
<b>Chip Guard</b>	<input type="checkbox"/>	08889	Rocker Panel Coating	_____	_____
	<input type="checkbox"/>	08733 / 08734	Rocker Protector	_____	_____
	<input type="checkbox"/>	08747	Paintable Undercoating	_____	_____
	<input type="checkbox"/>	08874	Rocker Schutz	_____	_____
<b>Underbody Coatings</b>	<input type="checkbox"/>	08881	Undercoating	_____	_____
	<input type="checkbox"/>	08882	Paintable Undercoating	_____	_____
	<input type="checkbox"/>	08883	Rubberized Undercoating	_____	_____
	<input type="checkbox"/>	08804	Waterbased Undercoating	_____	_____
	<input type="checkbox"/>	08964	High Coverage Body Schutz	_____	_____
<b>Cavity Wax</b>	<input type="checkbox"/>	08852	Cavity Wax Plus	_____	_____
	<input type="checkbox"/>	08891	Rust Fighter	_____	_____
<b>Clean &amp; Re-tape Molding / Trim</b>	<input type="checkbox"/>	Multiple	Attachment Tape	_____	_____



\_\_\_\_\_  
Technician

\_\_\_\_\_  
Q.C.

Technical Information	The technical information, recommendations and other statements contained in this document are based upon tests or experience that 3M believes are reliable, but the accuracy or completeness of such information is not guaranteed.
Product Use	Many factors beyond 3M's control and uniquely within the user's knowledge and control can affect the use and performance of a 3M product in a particular application. Given the variety of factors that can affect the use and performance of a 3M product, user is solely responsible for evaluating the 3M product and determining whether it is fit for a purpose and suitable for user's method of application.
Warranty, Limited Remedy, and Disclaimer	Unless an additional warranty is specifically stated on the applicable 3M product packaging or product literature, 3M warrants that each 3M product meets the applicable 3M product specification at the time 3M ships the product. 3M MAKES NO OTHER WARRANTIES OR CONDITIONS, EXPRESS OR IMPLIED, INCLUDING, BUT NOT LIMITED TO, ANY IMPLIED WARRANTY OR CONDITION OF MERCHANTABILITY OR FITNESS FOR A PARTICULAR PURPOSE OR ANY IMPLIED WARRANTY OR CONDITION ARISING OUT OF A COURSE OF DEALING, CUSTOM OR USAGE OF TRADE. If the 3M product does not conform to this warranty, then the sole and exclusive remedy is, at 3M's option, replacement of the 3M product or refund of the purchase price.
Limitation of Liability	Except where prohibited by law, 3M will not be liable for any loss or damage arising from the 3M product, whether direct, indirect, special, incidental or consequential, regardless of the legal theory asserted, including warranty, contract, negligence or strict liability.

